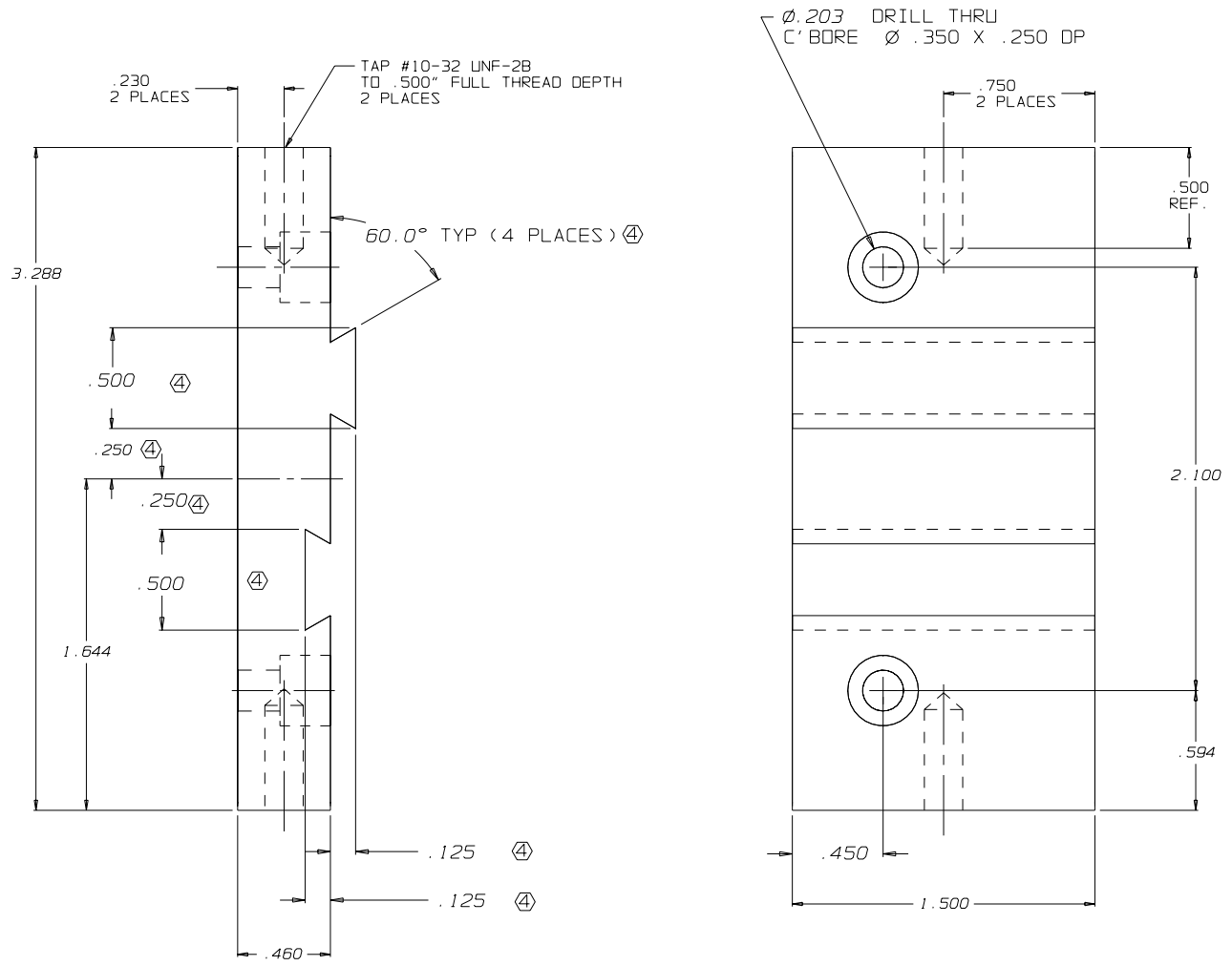


REVISIONS			
REV	DESCRIPTION	DATE	APPROVED
C	ADDED TWO (2) #10-32 TAPPED HOLES	12/19/94	JG



- NOTES: UNLESS OTHERWISE SPECIFIED
- 1) ALL DIMENSIONS ARE IN INCHES AND APPLY AFTER PLATING
  - 2) TOLERANCE: +/- .005 UNLESS OTHERWISE NOTED
  - 3) MATERIAL: 6061 ALUMINUM
  - 4) DOVETAILS TO BE MACHINED FOR SMOOTH, SLIDING FIT OF TWO (2) MATING PARTS
  - 5) FINISH: ANODIZE, BLACK

*STANFORD RESEARCH SYSTEMS, Inc.*

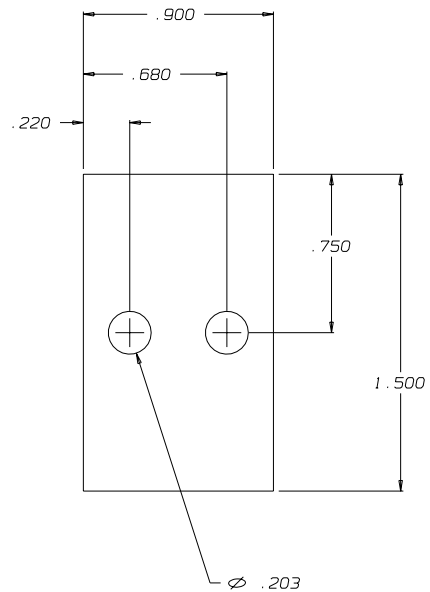
1290-D REAMWOOD AVENUE  
SUNNYVALE, CA 94089  
PHONE: (408) 744-9040  
FAX: 4087449049  
TELEX: 706891 SRS LD

ASSEMBLY:  
TITLE: RACKMOUNT, DOUBLE

SIZE C	SRS REF#	SRS PART# 7-00194-720	REV C
-----------	----------	-----------------------	----------

DRAWN BY: LD      SCALE: 2:1      DATE: 7-29-88      SHEET 1 OF 1

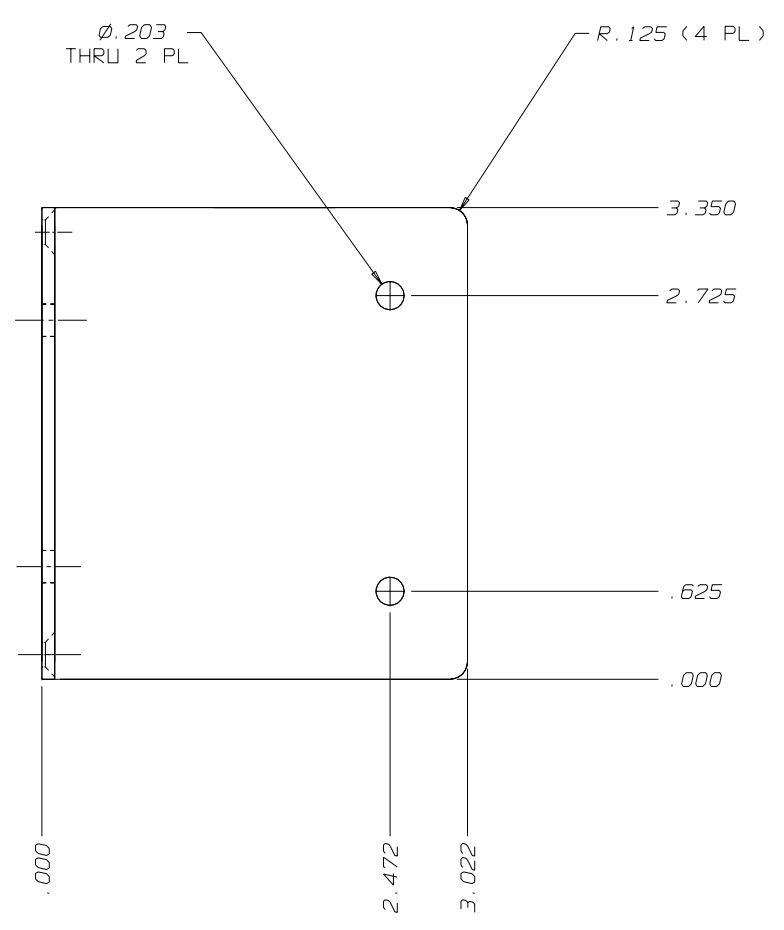
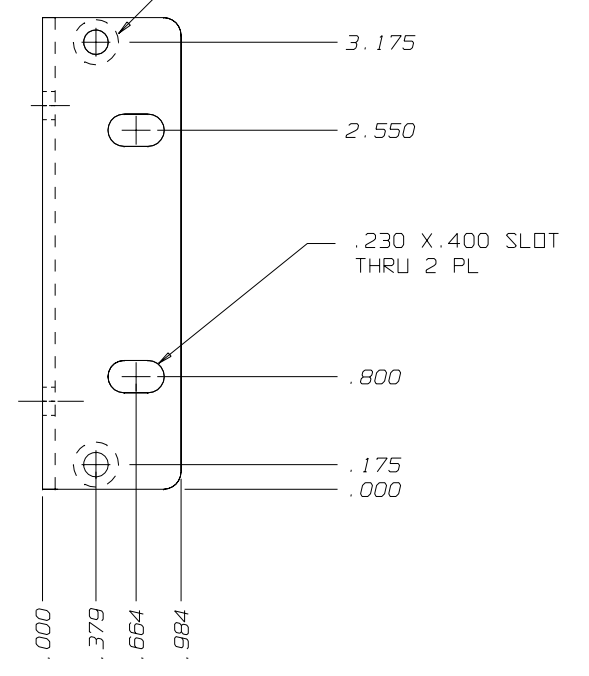
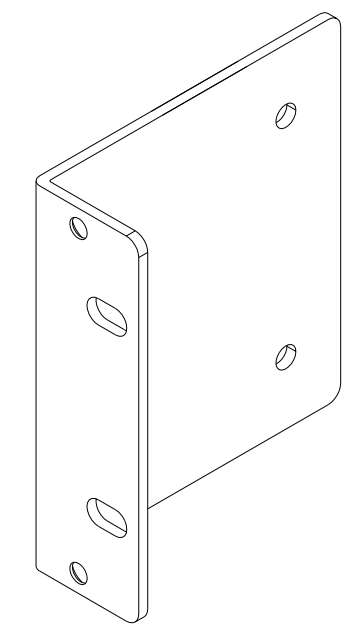
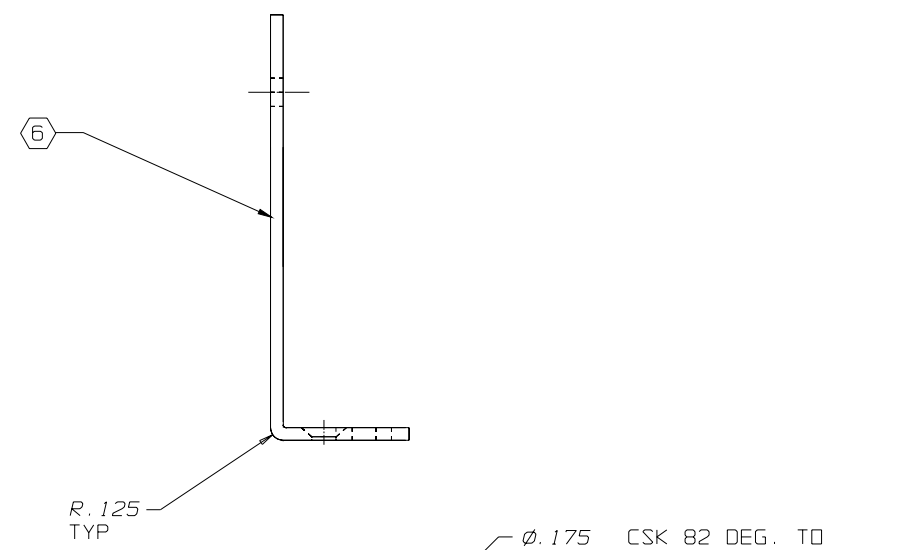
REVISIONS			
REV	DESCRIPTION	DATE	APPROVED



- NOTES:
- 1) ALL DIMENSIONS ARE IN INCHES
  - 2) TOL +/- .010
  - 3) REMOVE ALL SHARP EDGES AND BURRS (GRAINING D.K.)
  - 4) MATERIAL: .125" THICK (8 ga.) ALUMINUM STRIP
  - 5) FINISH: BLACK ANODIZE
  - 6) RUBBER OR METAL STAMP ON THIS PART (LOCATION OPTIONAL) IN .06 - .12 HIGH CHARACTERS: 7-00676-720.REVO

<i>STANFORD RESEARCH SYSTEMS, Inc.</i>			
1290-D REAMWOOD AVENUE SUNNYVALE, CA 94089		ASSEMBLY: DOUBLE RACK MOUNT	
PHONE: (408) 744-9040 FAX: 4087449049 TELEX: 706891 SRS LD		TITLE: SAFETY LOCKING PLATE	
SIZE C	SRS REF#	SRS PART# 7-00680-720	REV 0
DRAWN BY: JG		SCALE: 2:1	DATE: 12/19/94 SHEET 1 OF 1

REVISIONS			
REV	DESCRIPTION	DATE	APPROVED
A	ADDED NOTE #6	01/20/89	JG



- NOTES:
- 1) ALL DIMENSIONS ARE IN INCHES
  - 2) TOL +/- .010
  - 3) USE MINIMUM RADII ON ALL BENDS
  - 4) MATERIAL: .090 ALUMINUM (11 GA)
  - 5) FINISH: BLACK ANODIZE
- DO NOT GRAIN, TUMBLE OPTIONAL
- Ⓟ RUBBER STAMP OR STENCIL ON THIS SURFACE IN .12 - .19 HIGH CHARACTERS:  
7-00257-720.REVA

STANFORD RESEARCH SYSTEMS, Inc.

1290-D REAMWOOD AVENUE  
SUNNYVALE, CA 94089

PHONE: (408) 744-9040  
FAX: 4087449049  
TELEX: 706891 SRS UD

ASSEMBLY:

TITLE: RACK MOUNT

SIZE E	SRS REF#	SRS PART# 7-00257-720	REV A
-----------	----------	--------------------------	----------

DRAWN BY: JG      SCALE: 1:1      DATE: 12-21-88      SHEET 1 OF 1